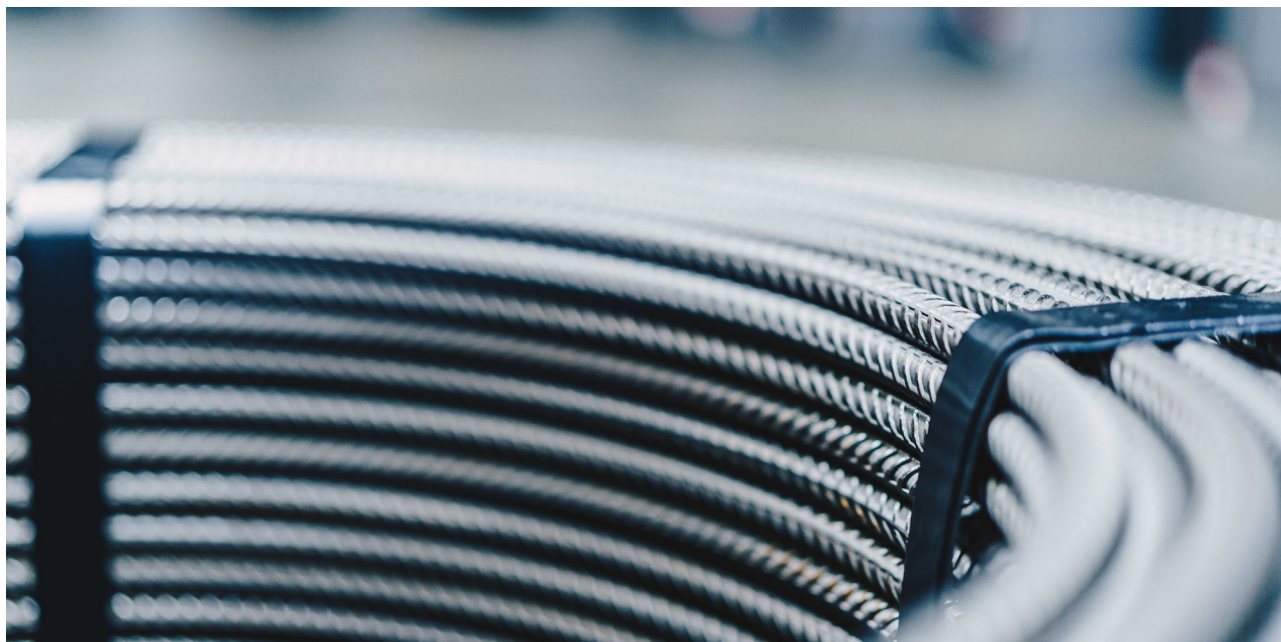

REINFORCING STEEL COIL

B500B | B550B | B500C



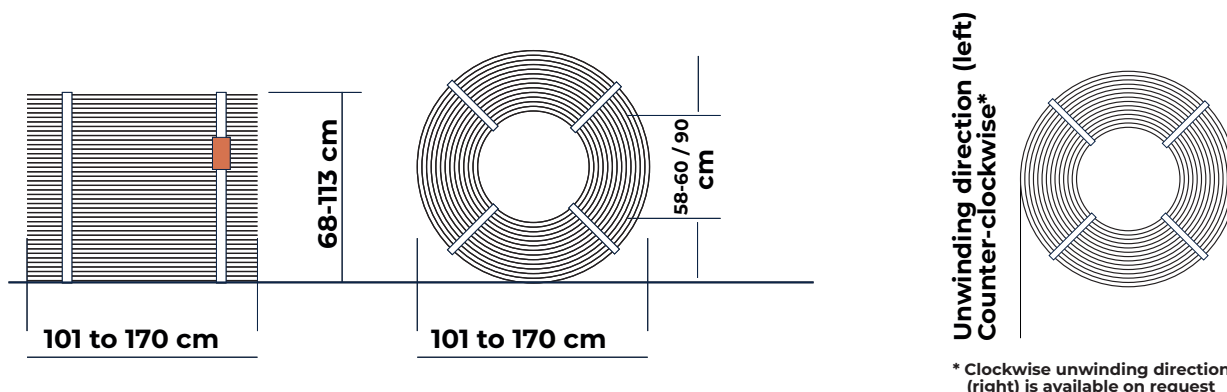
PRODUCT SPECIFICATION

Grade	» B500B, B550B, B500C
Ductility	» High
Surface	» Ribbed
Diameter	» 6 to 25 mm
Fabricated	» According to national standard or approval
Availability	» From stock or from production
Certified for following countries	» A B CH CZ D DK F GB N NL PL S SK

REINFORCING STEEL COIL

B500B | B550B | B500C

Coil size



Coil weights

Coil weight	Diameter	External diameter	Internal diameter	Height
2.000 kg	∅ 6 mm	101-103 cm	58-60 cm	68-70 cm
2.500 kg	∅ 8-10 mm	107-114 cm	58-60 cm	68-70 cm
3.000 kg	∅ 8-10 mm	114-120 cm	58-60 cm	68-70 cm
5.000 kg	∅ 8-10 mm	124-132 cm	58-60 cm	90 cm
2.500 kg	∅ 12-16 mm	107-114 cm	58-60 cm	68-70 cm
3.000 kg	∅ 12-16 mm	114-120 cm	58-60 cm	68-70 cm
5.000 kg	∅ 12-16 mm	124-132 cm	58-60 cm	90 cm
8.300 kg	∅ 12-16 mm	160-170 cm	90 cm	110-113 cm
5.000 kg	∅ 18-25 mm	140-150 cm	90 cm	90 cm
8.300 kg	∅ 18-25 mm	160-164 cm	90 cm	110-113 cm

All measurements are approximate.

Coil design

Compact spooled, stackable, securely handled with inner or outer coil lifter (crane or forklift).

REINFORCING STEEL COIL

B500B FOR GERMANY

Produced according to the national technical approval Z-1.2-260 from the DIBt for reinforcing steel coils with special TWR ribbing.

Physical values according to DIN 488 (quantile values)

Yield point R_e	Min. 500 MPa
Tensile strength R_m	Min. 500 MPa
Ratio tensile strength/yield strength R_m/R_e	Min. 1.08
Elongation at max. load A_{gt}	Min. 5%
Fatigue strength	175 MPa
Weldable	($C \leq 0.22\%$, $C_{eq} \leq 0.50$)

Re-bendability

Suitable; observe the regulation of the DBV data sheet February 1991 about the re-bending of reinforcement steel.

Application

The processed (straightened/bent) reinforcing steel B500B with special ribbing "TWR" may be used under the same conditions as specified in the technical rules for buildings DIN EN 1992-1-1 for ribbed reinforcement steel B500B.